

PRODUCT TECHNICAL SHEET		
Collection :	e-Motion	Ref. : 5001.09.33

Robinet de lave-mains Infrarouge sur secteur, froid
Infrarood fonteinkraan op netspanning, koud
Infrared washbasin tap mains-powered, cold

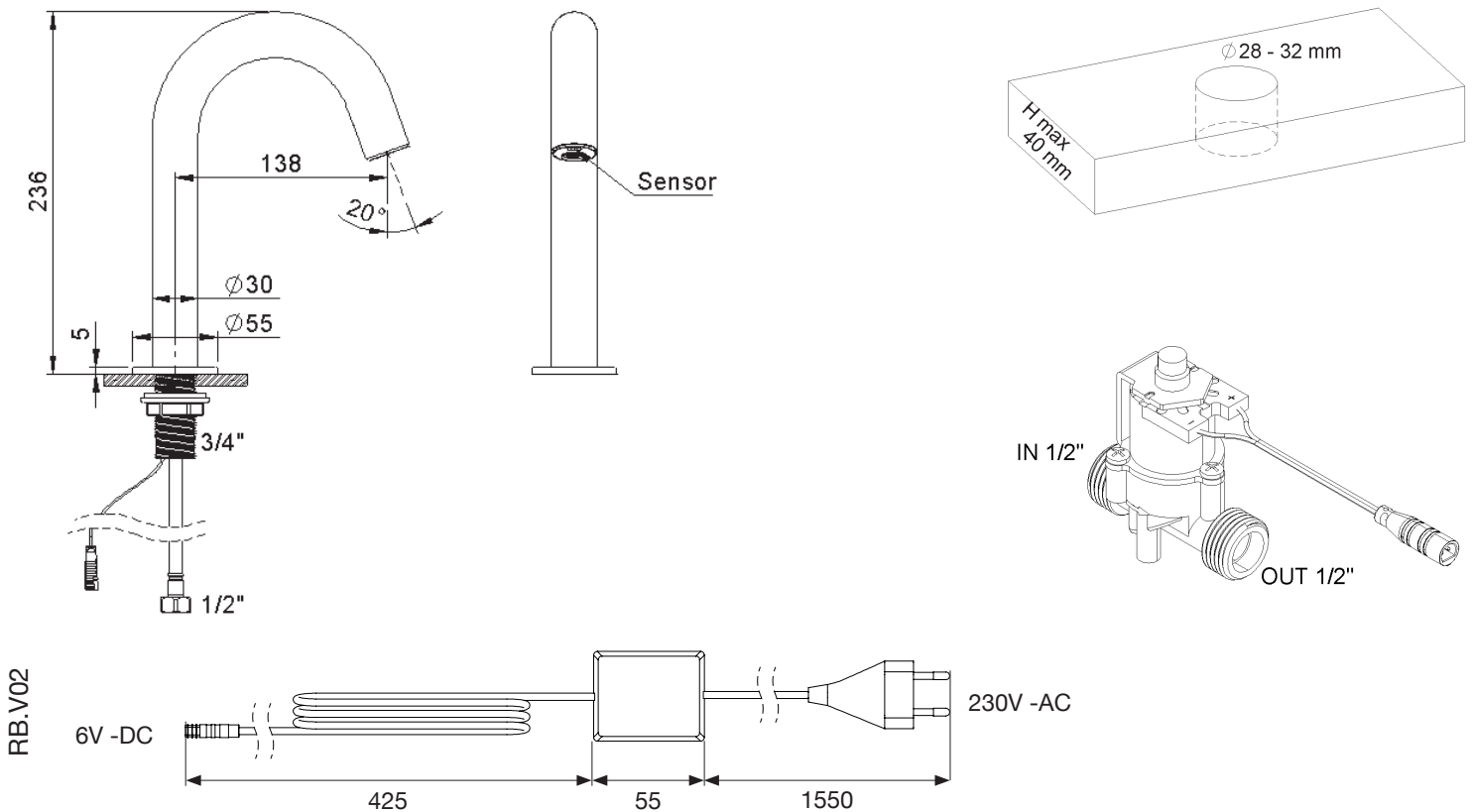
Picture



Product details

Flow at 3 bar :	Restricted 4,5 l/min
Material :	Stainless steel 316
Internal mechanism :	Solenoid valve bi-stable
Power consumption :	2,1W Input 110-240 V-AC @ 50-60 Hz Output 6 V-DC
Unit :	Adjustable infrared detector
Security :	Low voltage. Automatic closing in case of power failure.

Technical drawing



RB.V02